



"Since 1916"

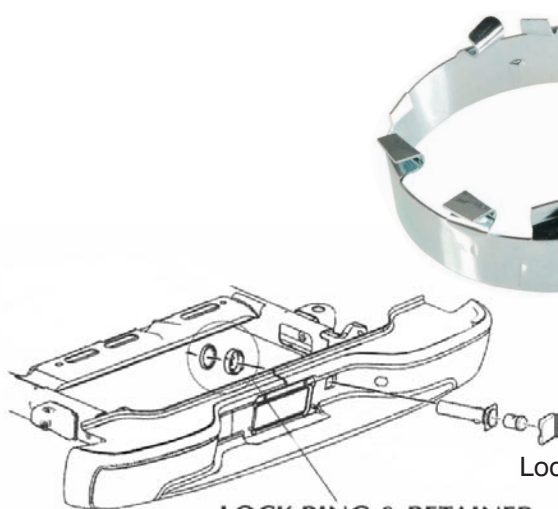


HNI-266 4/16/10

For Bulletin Archive Navigate To:  
<http://www.auveco.com/hni/index.html>  
1-800-354-9816 Ext. 1  
Fax: 1-800-552-8197

## New Item Bulletin

## Items Available For Immediate Shipment



**LOCK RING & RETAINER**

The retainer and ring are damaged whenever the bumper is removed.



### 21290

(15769308 - Retainer,  
15040331 - Ring)  
Zinc

Spare Tire  
Lock Cylinder Housing Retainer  
& Lock Ring Kit  
Retainer O.D.: 72mm  
Lock Ring O.D.: 57mm  
GM C/K, Denali, Sierra,  
Silverado, Suburban,  
Tahoe and Yukon  
1999 - On

UNIT PACKAGE: 5 Kits



### 21251

(VW: 6Q0-868-243)  
Black & White Nylon

Trim Panel  
Push-Type Retainer  
With Sealer  
Head Diameter: 22.5mm  
Stem Length: 12mm  
Fits Into 8mm Hole  
Volkswagen Golf, Jetta,  
Passat, Phaeton, Rabbit  
& Tiguan  
2004 - On

UNIT PACKAGE: 15



### 21232

(86910-21010)  
Natural Nylon

Bumper Screw Grommet  
With Sealer  
M4.8 (#10) Screw Size  
Head Diameter: 18mm  
Stem Length: 21mm  
Hyundai Azera  
2009 - On

UNIT PACKAGE: 25



### 21233

(86157-37000)  
Black Nylon

Hood Mounting  
Push-Type Retainer  
Head Diameter: 10mm  
Stem Length: 13mm  
Fits Into 5mm Hole  
Hyundai Azera  
2009 - On

UNIT PACKAGE: 25



### 21243

Not Available From O.E.M.  
White Nylon

Moulding Clip  
Head Diameter: 15mm  
Stem Length: 14mm  
Fits Into 9mm Hole  
Infiniti  
2006 - On

UNIT PACKAGE: 15